

(19)



(11)

EP 2 823 845 A1

(12)

EUROPEAN PATENT APPLICATION

(43) Date of publication:
14.01.2015 Bulletin 2015/03

(51) Int Cl.:
A61M 25/00 (2006.01) A61M 25/01 (2006.01)

(21) Application number: **13176283.3**

(22) Date of filing: **12.07.2013**

(84) Designated Contracting States:
AL AT BE BG CH CY CZ DE DK EE ES FI FR GB GR HR HU IE IS IT LI LT LU LV MC MK MT NL NO PL PT RO RS SE SI SK SM TR
Designated Extension States:
BA ME

(72) Inventors:
• **Tjassens, Nathalie**
6846 EL Arnhem (NL)
• **van Groningen, David**
7006 GE Doetinchem (NL)
• **van Velthoven, Ad**
4112 JD Beusichem (NL)

(71) Applicant: **Curan Medical B.V.**
7006 GE Doetinchem (NL)

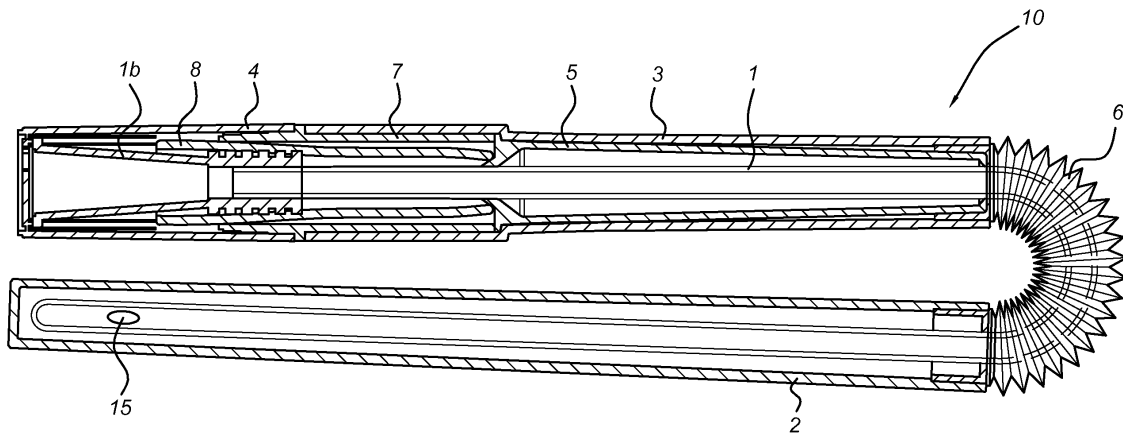
(74) Representative: **Nederlandsch Octrooibureau**
P.O. Box 29720
2502 LS The Hague (NL)

(54) **Male urinary catheter package**

(57) Package (10) for holding an intermittent, male urinary catheter (1). The package (10) has a vessel (5) which is tubular in shape allowing the urinary catheter (1) to be movably arranged in an inner volume of the vessel (5). An enveloping housing of the package entirely encloses the urinary catheter (1) when packaged. The

enveloping housing has three tubular parts (2, 3, 6) of which a first and second straight part (2, 3) are of a hard plastic material, and a third part (6) is of a flexible material. The first straight (2) part is closed off at a bottom end thereof and the second straight part (3) is closeable by the cap (4) and comprises the vessel (5).

Fig. 6



EP 2 823 845 A1

Description

Field of the invention

[0001] The present invention relates to a male urinary catheter package, more particularly to a compact male device for intermittent self catheterization. In a further aspect, the present invention relates to a method of assembling the male urinary catheter package.

Prior art

[0002] International application WO 2012/060699 A1 of the same applicant as the present invention discloses a package for a female urinary catheter. The package comprises a container enclosing a female urinary catheter in its entirety.

[0003] European patent application EP 1 023 882 A1 discloses a urinary catheter assembly, wherein the assembly comprises a flexible tubular catheter package provided with elongation means at parts of the catheter package. More particular, the elongation means comprise click-clack or soft corrugations in the same material of the flexible tubular catheter package itself.

[0004] A similar arrangement is disclosed in European patent application EP 2 106 821 A1, wherein a tubular member is used for storing a catheter before use and for elongating the catheter during actual use. The single material tubular member is provided with one or more regions with a plurality of pleats, allowing curvature of the tubular member (with the catheter inside) in a packaged state.

Summary of the invention

[0005] Catheterization is a procedure to empty a bladder by inserting a urinary catheter to collect urine. For clean intermittent self catheterization (CISC) the urinary catheter does not remain inside the bladder indefinitely but only for a time necessary to empty the bladder after which it is removed. CISC is a procedure that is used for avoiding problems that may occur due to various conditions, disturbances and/or injuries of the nervous system, such as non-neurogenic bladder dysfunction or intravesical obstruction with incomplete bladder evacuation. CISC can be implemented as a one-time treatment, a repeated treatment over a short period of time, or a life-long treatment. Intermittent catheterization is often preferred to indwelling catheterization, because they can result in a better quality of life for the patient or subject and has less complications, such as various urinary tract infections and/or urethral strictures.

[0006] The present invention seeks to provide a male urinary catheter package that allows for a compact, discrete and sterile storage of a urinary catheter, in particular a male intermittent urinary catheter. The present invention further seeks to provide a male urinary catheter package that allows for easy, comfortable, and risk free inser-

tion and withdrawal of the urinary catheter.

[0007] According to a first aspect of the present invention, a male (intermittent) urinary catheter package according to the preamble defined above is provided, wherein the package comprises a vessel positioned in an inner volume of the package, the vessel being tubular in shape with a first and second opening allowing the (intermittent) urinary catheter to be movably arranged in an inner volume of the vessel; an enveloping housing entirely enclosing the (intermittent) urinary catheter when packaged, the enveloping housing comprising at least three tubular parts for accommodating the (intermittent) urinary catheter, wherein a first and second straight part of the at least three tubular parts are of a hard plastic material, and a third part is of a flexible material; an inner lumen of the third part interconnecting inner lumens of the first and second straight part; a cap for providing access to an inner volume of the package, and the first straight part being closed off at a bottom end thereof and the second straight part being closeable by the cap and comprising the vessel.

[0008] The male (intermittent) urinary catheter package of the present invention provides a professional looking, rugged and hygienic device for intermittent self catheterization, wherein the catheter package offers a small form factor due to the fact that the package is foldable by means of the flexible third part. The integrated vessel provides a lubrication agent or activating fluid, so that users have a complete intermittent self catheterization solution as no separate pouch or container for lubricant or activator is needed. Further, the cap allows sterilization gas from outside the catheter package to pass into the inner volume of the package, so that sterility of the urinary catheter is guaranteed as the enveloping housing completely and hermetically encloses the urinary catheter in the sterilized inner volume.

[0009] In an embodiment, the third part may comprise a pleated or corrugated wall, so that flexibility may be further increased in addition to the flexibility of the material of the third part in itself. The pleated or corrugated wall also provides a convenient way for keeping the catheter package folded, although a holding element may be used for keeping the catheter package folded.

[0010] For an appealing visual appearance, in an embodiment the length of the first straight part is substantially equal to the length of the second straight part in combination with the cap fitted thereon. In this embodiment, folding the catheter package reduces the length of an unfolded catheter package to about a half, allowing relatively long male urinary catheters to be stored compactly.

[0011] In advantageous embodiments, the vessel may comprise a lubricant for the urinary catheter, and has a distal end with an aperture having a diameter substantially similar to an outer diameter of the urinary catheter, and a proximal end with an aperture having a diameter larger than the outer diameter of the catheter tube. This embodiment prevents leakage of lubricant or activating

fluids out of the vessel into other parts of the inner volume of the package, but it also ensures an even spreading of said lubricant or activating fluid when the urinary catheter is taken out from the package. Note that the catheter package of the present invention is also suitable for hydrophilic catheters, thus wherein the urinary catheter comprises a hydrophilic coating and the vessel comprises an activating fluid (e.g. water) and a seal element at the proximal end.

[0012] In an embodiment, the package further comprises an insertion device surrounding the urinary catheter. Typically, the insertion device may be slidably disposed around the catheter, and may be substantial flexible and squeezable, such as a rubber-like slidable tube disposed around the catheter. The insertion device allows a patient or user to touch and clamp the catheter tube between two or more fingers without actually touching the catheter surface and thus maintaining sterility.

[0013] In a further aspect, the present invention seeks to provide a method for assembling a package for a urinary catheter, the method comprising providing an enveloping housing entirely enclosing the urinary catheter by attaching at least three tubular parts to each other, wherein a first and second straight part of the at least three tubular parts are of a rigid material, and a third part is of a flexible material, the first straight part being closed off at a bottom end thereof, and by attaching the third part to the first straight part and the second straight part; inserting a vessel for holding a preparation substance for the urinary catheter into a lumen of the second straight part; closing off an inner volume of the package by attaching a cap to the second straight part.

[0014] In an embodiment, before closing off the inner volume by attaching the cap, the method further comprises sterilizing an inner volume of the package using a sterilizing agent, such as Ethylene Oxide, inserting the urinary catheter into the inner lumen, and filling the vessel with a substance, such as a lubricating gel or activating fluid, after inserting the urinary catheter in the package.

[0015] The method provides a rugged, foldable package holding a fully sterilized urinary catheter which is lubricated, or activated in hydrophilic sense, when taken out of the package.

Short description of drawings

[0016] The present invention will be discussed in more detail hereinafter by way of a number of exemplary embodiments with reference to the attached drawings, in which

Fig. 1 shows a cross sectional view of an embodiment of a male urinary catheter package according to the present invention;

Fig. 2 shows a cross sectional view of an embodiment of a second straight part according to the present invention;

Fig. 3 shows a cross sectional view of an embodi-

ment of a vessel according to the present invention; Fig. 4 shows a cross sectional view of an embodiment of a connector according to the present invention;

Fig. 5 shows a cross sectional view of an embodiment of a cap according to the present invention; and Fig. 6 shows a cross sectional view of an embodiment of a folded male urinary catheter package according to the present invention.

Detailed description of exemplary embodiments

[0017] Fig. 1 shows a cross sectional view of an embodiment of a male (intermittent) urinary catheter package 10 according to the present invention. In the embodiment shown, a urinary catheter 1 is stored within the package 10, wherein the urinary catheter 1 comprises a catheter tube 1a having apertures 15 and a drainage funnel 16 through which bladder content is evacuated during a catheterization procedure, especially suited for intermittent self-catheterization.

[0018] The depicted package 10 comprises an enveloping housing entirely enclosing the (intermittent) urinary catheter 1 when packaged. The enveloping housing comprises at least three tubular parts 2, 3, 6 for accommodating the urinary catheter 1, wherein a first straight part 2 and a second straight part 3 of the at least three tubular parts 2, 3, 6 are of an inflexible material, such as hard plastic, and a third part 6 of the at least three tubular parts 2, 3, 6 is of a flexible (bendable, foldable) material.

[0019] The first and second straight part 2, 3 are substantially inflexible tubular components that cannot be folded by hand. More precisely, the first and second straight part 2, 3 are for all intents and purposes stiff, rigid, hard or rigid tubular components if one were to try to fold or bend said first and said second straight part 2, 3 by hand. In typical embodiments, the first and second straight part 2, 3 are made of a hard or rigid plastic material, such as a Methacrylate/Butadiene/Styrene Polymer, or MBS for short.

[0020] In the embodiment shown, the third part 6 comprises a pleated or corrugated wall, wherein the pleated or corrugated wall may provide further flexibility. In an embodiment, the third part 6 is made of a polypropylene (PP) or polyethylene (PE) material. In a further embodiment, the third part 6 is made of a translucent material, such as a translucent blue colour material for providing a pleasing visual appearance, and allowing easy inspection of the contents of the package 10. The third part 6 is e.g. manufactured through an extrusion process.

[0021] The at least three tubular part 2, 3, 6 are connected such that an inner lumen of the third part 6 interconnects inner lumens of the first and second straight part 2, 3, wherein the first straight 2 part is closed off at a bottom end thereof. The at least three tubular part 2, 3, 6 provide an elongated cavity within the at least three tubular parts 2,3,6 for accommodating the (intermittent) urinary catheter 1.

[0022] The enveloping housing further comprises a cap 4 for allowing or restricting access to an inner volume of the package 10. Here, the inner volume of the package 10 shall be construed as being a volume comprised by the at least three tubular parts 2, 3, 6 and cap 4 when assembled together. The cap 4 is removeably attached to the second straight part 3 and closes off the inner volume of the package 10.

[0023] According to the present invention, the package 10 further comprises a tubular vessel 5 disposed in the inner volume of the package 10, or more specifically, the vessel 5 is disposed within the enveloping housing. In advantageous embodiments, the second straight part 3 comprises the vessel 5, wherein the vessel 5 is disposed in the third straight part 3. The vessel 5 is tubular in shape and comprises a first and second opening allowing the urinary catheter 1 to be movably arranged in an inner volume (lumen) of the vessel 5. In typical embodiments, the vessel 5 may comprise a lubricant, gel, water or another activator for facilitating comfortable and risk free insertion and withdrawal of the urinary catheter 1 through the urinary tract. Note that the first and second opening of the vessel 5 provide sufficient clearances around the urinary catheter 1 when packaged, so that the first and second opening allow for a movable arrangement of the urinary catheter 1 within the vessel 5.

[0024] In actual use, a patient or subject is able to fold the package 10 from a substantially straight configuration as depicted in Fig. 1 to a U-shaped configuration as shown in Fig. 6, wherein the first and second straight part 2, 3 are arranged in a parallel fashion. Because male urinary catheters are generally longer than e.g. female urinary catheters, the foldable package 10 of the present invention provides a convenient way for compactly packaging a long urinary catheter. For example, the first straight part 2 may be held in one hand whereas the second straight part 3 with cap 4 may be held in another hand. Since the first and second straight part 2, 3 are rigid, the flexible third part 6 makes it possible to fold the package 10 into a U-shape as depicted in Fig. 6.

[0025] The package 10 may further comprise a holding element for keeping the package 10 in a folded state. The holding element may comprise one of: a tape, an (elastic) band, a string, a hook-and-loop fastener (e.g. Velcro), a releasable glue connection, a snap-fit element, and the like.

[0026] Further, in the embodiment shown in Fig. 1, the third part 6 and first straight part 2, and third part 6 and second straight part 3 are connected at their respective circumferential ends 2a, 6a, 3a, 6b, wherein the connection at the circumferential ends 2a, 6a, 3a, 6b may be a glued connections, a chemical connection, a welded connection, a press-fit connection, a threaded connection, a bayonet connection and the like.

[0027] To provide a compact package 10, in an advantageous embodiment the length of the first straight part 2 is substantially equal to the length of the second straight part 3 in combination with the cap 4 fitted thereon. This

embodiment allows for a folded size/length of the package 10 of about half the length of the urinary catheter 1.

[0028] The package 10 of the present invention further comprises a connector 7 having a generally tubular shape, with a first end for holding the vessel 5 in place in the second straight part 3, and a second end for receiving the cap 4, wherein the connector 7 and second straight part 3 are in a clamping relationship. For example, the connector 7 and the straight part 3 may be connected using a press-fit connection that provides a sufficiently large clamping force for securing the vessel 5 within the second straight part 3.

[0029] In view of the invention, self catheterization should be risk free with regard to various types of viral, bacterial and/or fungal infections while using the urinary catheter 1. In order to maintain maximum sterility of the urinary catheter 1, the patient or user should not touch the urinary catheter 1, in particular the catheter tube 1a, prior to or during insertion of said catheter into the urinary tract. To that end, the package 10 further comprises an insertion device 8 surrounding the urinary catheter 1. For example, the package 10 may comprise an insertion device 8 moveably arranged around the urinary catheter 1. In typical embodiments, the package 10 comprises an insertion device 8 slidably arranged around the urinary catheters 10, wherein the insertion device 8 may be a flexible tubular component which is squeezable by e.g. two or more fingers. In an embodiment, the insertion device 8 may be made of a rubber-like material.

[0030] The insertion device 8 is particularly advantageous as it avoids contact by hand or fingers with the outer surface of the urinary catheter 1 during insertion or withdrawal of said catheter. For example, the user may clamp the insertion device 8 around the catheter tube 1a between two or more fingers for moving the urinary catheter 1 into or out of the urinary tract.

[0031] Fig. 2 shows a cross sectional view of an embodiment of a second straight part 3 according to the present invention. In the embodiment shown, the second straight part 3 comprises a circumferential end 3a having an inner diameter d3 of length 11 matching the circumferential end 6b of the third part 6 as shown in Fig. 1. The second straight part 3 further comprises a fixation end 3b through which the vessel 5 is received and secured by the connector 7.

[0032] In an embodiment, the second straight part 3 comprises an insertion device area or inner volume for accommodating at least a part of the insertion device 8. In a further embodiment, the second straight part 3 comprises a vessel area or inner volume for accommodating the vessel 5, wherein the vessel area or inner volume of the second straight part 3 is positioned between the circumferential end 3a and the fixation end 3b of said second straight part. The vessel area of the second straight part 3 is configured as wide as possible for ensuring that the vessel 5 can be as large as possible. The fixation end 3b is adapted to keep the vessel 5 in place, wherein the vessel 5 is further immobilized and fixedly arranged by

the connector 7 as depicted in Fig. 1. The insertion device area of the second straight part 3 is configured to be as small as possible but large enough for accommodating at least a part of the connector 7 and insertion device 8.

[0033] In an embodiment, the second straight part 3 is made of a hard plastic material, such as MBS. In a further embodiment, the second straight part 3 may be made of a translucent material, such as a translucent blue material for providing a clean, hygienic and professional look to a patient or user. In most embodiments, the second straight part 3 is conveniently manufactured through an injection moulding process.

[0034] Fig. 3 shows a cross sectional view of an embodiment of a vessel 5 according to the present invention. In the embodiment shown, the vessel 5 may comprise a lubricant and/or activator substance for the urinary catheter 1. Further, the vessel 5 may also comprise a distal end 5b with an aperture having a diameter d_B substantially similar to an outer diameter of the urinary catheter 1, and a proximal end 5a with an aperture having a diameter d_A larger than the outer diameter of the catheter tube 1a.

[0035] The aperture of the distal end 5b provides a snug and relatively tight fit around the catheter tube 1a, preventing leakage when the vessel 5 is being filled with a lubricant and/or an activator substance during the packaging process of the package 10, and during storage of the package 10 with catheter 1. On the other hand, the aperture of the proximal end 5a provides a relatively loose fit around the catheter tube 1a for ensuring an even spreading of the lubricant and/or activator substance when the catheter tube 1a is removed from the package 10.

[0036] To further explain this last point, as shown in Fig. 3, the vessel 5 may comprise a tapered geometry along a longitudinal direction, wherein an inner diameter of the vessel 5 at the distal end 5b is smaller than an inner diameter of the vessel 5 at the proximal end 5a. Such a tapered geometry has the surprising effect that a lubricant and/or activating fluid within the vessel 5 tends to accumulate near the aperture of the proximal end 5a when the catheter tube 1a is pulled from the package 10. Furthermore, since the aperture at the proximal end 5a has a diameter d_A larger than the outer diameter of the catheter tube 1a, an even spreading of the lubricant and/or activator substance on the catheter tube 1a is guaranteed when the urinary catheter 1 is pulled from the package 10.

[0037] The proximal end 5a of the vessel 5 is provided with an abutment flange 5a configured for abutting the fixation end 3b of the second straight part 3 as well as the connector 7, thereby firmly immobilizing the vessel 5 within the second straight part 3.

[0038] In a further embodiment the urinary catheter 1 comprises a hydrophilic coating, and the vessel 5 comprises an activating fluid (e.g. water); the vessel 5 further comprising a seal element at the proximal end 5a and/or distal end, ensuring no leakage of activating fluid once

the package 10 is completed with the catheter 1. The package 10 of the present invention is not limited to non-hydrophilic catheters 1 requiring a lubricant, but it is also suitable for hydrophilic catheters 1 requiring an activating substance or fluid. In an embodiment, the vessel 5 is made of silicone and manufactured through an injection moulding process.

[0039] Fig. 4 shows a cross sectional view of an embodiment of a connector 7 according to the present invention. In the embodiment shown, the connector 7 is tubular in shape and may comprise a fixation end 7b for immobilizing the vessel 5 within the second straight part 3. As mentioned earlier, the connector 7 and second straight part 3 are advantageously connected by means of a clamped or press-fit arrangement thereof, wherein at least a part the connector 7 is tightly and fixedly fitted within the second straight part 3.

[0040] In an embodiment, the connector 7 may further comprise an abutment ridge 7a which abuts the second straight part 3 as well as the cap 4 when the cap 4 is fitted over the connector 7. In a further embodiment the connector 7 may comprise a tapered end, such as a stepped tapered end. The cap 4 and tapered end of the connector 7 allow for a clamped arrangement thereof. As a result, when sliding the cap 4 over the connector 7 for closing off the inner volume of the package 10, a clamping force increases when the cap 4 is moved further over the tapered end toward the abutment ridge 7a. In an embodiment, the connector 7 is made of Thermoplastic Polyurethane (TPU) in a translucent colour, such as a visually appealing translucent blue colour. The connector 7 is e.g. manufactured through an injection moulding process.

[0041] Fig. 5 shows a cross sectional view of an embodiment of a cap 4 according to the present invention. In this embodiment, the cap 4 is tubular in shape and comprises an open end (left) and a closed end(right). In an advantageous embodiment the cap 4 comprises a plurality of apertures 12 for sterilization and disinfection of the entire inner volume of the package 10 after assembly thereof, wherein an Ethylene Oxide (EtO) sterilization process is particularly suitable for the package 10.

[0042] The cap 4 may also comprise a permeable membrane 13 covering the plurality of apertures 12, wherein the permeable membrane allows sterilization gases from outside the package 10 to pass through into the inner volume of the package 10 while maintaining sterility once the sterilization process is completed. After sterilization, the package 10 can be completely sealed using a sealing member 14 at the outside surface of the cap 4.

[0043] In an embodiment, the cap 4 is made of a resin, such as a BASF-K Resin, which is a transparent material with a shiny surface and provides a hygienic and clean look. The cap 4 is typically injection moulded. In a further embodiment, an inner diameter near the open end of the cap 4 is slightly smaller than a largest outer diameter of the tapered end of the connector 7 adjoining the abutment

ridge 7a. As a result, the cap 4 tightly fits over the connector 7 but can be easily removed by hand.

[0044] In a further aspect, the present invention relates to a method of assembling a package 10 for a urinary catheter 1. The method comprises providing an enveloping housing entirely enclosing the urinary catheter 1 by attaching at least three tubular parts 2,3,6 to each other, wherein a first and second straight part 2, 3 of the at least three tubular parts 2, 3, 6 are of a rigid material, and a third part 6 is of a flexible material, the first straight 2 part being closed off at a bottom end thereof, and by attaching the third part 6 to the first straight part 2 and the second straight part 3; inserting a vessel 5 for holding a preparation substance for the urinary catheter (1) into a lumen of the second straight part (3); closing off an inner volume of the package by attaching a cap (4) to the second straight part (3).

[0045] The above method for assembling a male urinary catheter package 10 allows for a straightforward assembly process that can be readily mechanized. In essence the at least three tubular parts 2,3,6 are assembled first, then the vessel 5 is inserted into the second straight part 3, e.g. inserted into an inner cavity of said part 3. Finally the cap 4 is provided and attached to the second straight part 3, wherein the cap 4 is slid over the second straight part 3 and kept in place by a clamped or press-fit arrangement thereof. The resulting package 10 completely encloses the inner volume of said package 10.

[0046] In an embodiment, before closing off the inner volume by attaching the cap 4, the method further comprises sterilizing the inner volume of the package 10 using a sterilizing agent, such as Ethylene Oxide; inserting the urinary catheter 1 (already sterilized, possibly in combination with the optional insertion device 8) into the inner lumen, and filling the vessel 5 with a substance after inserting the urinary catheter 1 in the package 10. The vessel 5 is typically filled with a lubricating gel, an activating fluid such as water, or another suitable medium.

[0047] This method step is particularly advantageous for the embodiment of a vessel 5 shown in Fig. 3. Since the inner diameter dB of the vessel 5 has a tight and snug fit with an outer diameter of the catheter tube 1a, filling the vessel 5 with a lubrication agent or activating fluid avoids leakage into the inner volume of the package 10, in particular the first straight part 2 and third part 6.

[0048] After this method step, the vessel 5 is largely disposed within the second straight part 3 and may be affixed thereto using a connector 7 as embodied in Fig. 4. In an embodiment, inserting the vessel 5 comprises fixing the vessel 5 inside the second straight part 3 using a connector 7, the connector 7 having a generally tubular shape, with a first end for holding the vessel 5 in place in the second straight part 3 and a second end forming a receiving end for the cap 4, wherein the connector 7 and second straight part 3 are in a clamping relationship.

[0049] The present invention embodiments have been described above with reference to a number of exemplary embodiments as shown in the drawings. Modifications

and alternative implementations of some parts or elements are possible, and are included in the scope of protection as defined in the appended claims.

Claims

1. Package (10) for holding a urinary catheter (1), the package (10) comprising a vessel (5) positioned in an inner volume of the package (10), the vessel (5) being tubular in shape with a first and second opening allowing the urinary catheter (1) to be movably arranged in an inner volume of the vessel (5); an enveloping housing entirely enclosing the urinary catheter (1) when packaged, the enveloping housing comprising at least three tubular parts (2, 3, 6) for accommodating the urinary catheter (1), wherein a first and second straight part (2, 3) of the at least three tubular parts (2, 3, 6) are of a hard plastic material, and a third part (6) is of a flexible material; an inner lumen of the third part (6) interconnecting inner lumens of the first and second straight part (2, 3); a cap (4) for providing access to an inner volume of the package (10), and the first straight (2) part being closed off at a bottom end thereof and the second straight part (3) being closeable by the cap (4) and comprising the vessel (5).
2. Package according to claim 1, wherein the third part (6) is made of a polypropylene or polyethylene material and comprises a pleated or corrugated wall.
3. Package according to claim 1 or 2, wherein the third part (6) and first straight part (2), and third part (6) and second straight part (3) are connected at their respective circumferential ends (2a, 6a; 3a, 6b).
4. Package according to claim 1, 2 or 3, wherein the length of the first straight part (2) is substantially equal to the length of the second straight part (3) in combination with the cap (4) fitted thereon.
5. Package according to any one of claims 1-4, the package (10) further comprising a connector (7) having a generally tubular shape, with a first end for holding the vessel (5) in place in the second straight part (3), and a second end for receiving the cap (4), wherein the connector (7) and second straight part (3) are in a clamping relationship.
6. Package according to any one of claims 1-5, wherein the vessel (5) comprises a lubricant for the urinary catheter (1), has a distal end with an aperture having

a diameter d_B substantially similar to an outer diameter of the urinary catheter (1), and a proximal end with an aperture having a diameter d_A larger than the outer diameter of the catheter tube (1a).

end forming a receiving end for the cap (4), wherein the connector (7) and second straight part (3) are in a clamping relationship.

- 5
7. Package according to any one of claims 1-5, wherein the urinary catheter (1) comprises a hydrophilic coating, and wherein the vessel (5) comprises activating fluid; the vessel (5) further comprising a seal element at the proximal end. 10
8. Package according to any one of claims 1-7, wherein the package (10) further comprises an insertion device (8) surrounding the urinary catheter (1). 15
9. Package according to any one of claims 1-8, wherein the cap (4) comprises a plurality of apertures (12).
10. Package according to any one of claims 1-9, wherein the package (10) further comprises a holding element for keeping the package (10) in a folded state. 20
11. Package according to claim 11, wherein the holding element comprises one of: a tape, an band, a string, a hook-and-loop fastener, a releasable glue connection, a snap-fit element. 25
12. Method for assembling a package (10) for a urinary catheter, the method comprising
 providing an enveloping housing entirely enclosing the urinary catheter (1) by attaching at least three tubular parts (2, 3, 6) to each other, wherein a first and second straight part (2, 3) of the at least three tubular parts (2, 3, 6) are of a rigid material, and a third part (6) is of a flexible material, the first straight part (2) being closed off at a bottom end thereof, and by attaching the third part (6) to the first straight part (2) and the second straight part (3);
 inserting a vessel (5) for holding a preparation substance for the urinary catheter (1) into a lumen of the second straight part (3);
 closing off an inner volume of the package by attaching a cap (4) to the second straight part (3). 30
 35
 40
13. Method according to claim 12, further comprising, before closing off the inner volume by attaching the cap (4), sterilizing an inner volume of the package (1) using a sterilizing agent; inserting the urinary catheter (1) into the inner lumen, and filling the vessel (5) with a substance after inserting the urinary catheter (1) in the package (10). 45
 50
14. Method according to claim 12 or 13, wherein inserting the vessel (5) comprises fixing the vessel (5) inside the second straight part (3) using a connector (7), the connector (7) having a generally tubular shape, with a first end for holding the vessel (5) in place in the second straight part (3) and a second 55

Fig. 1

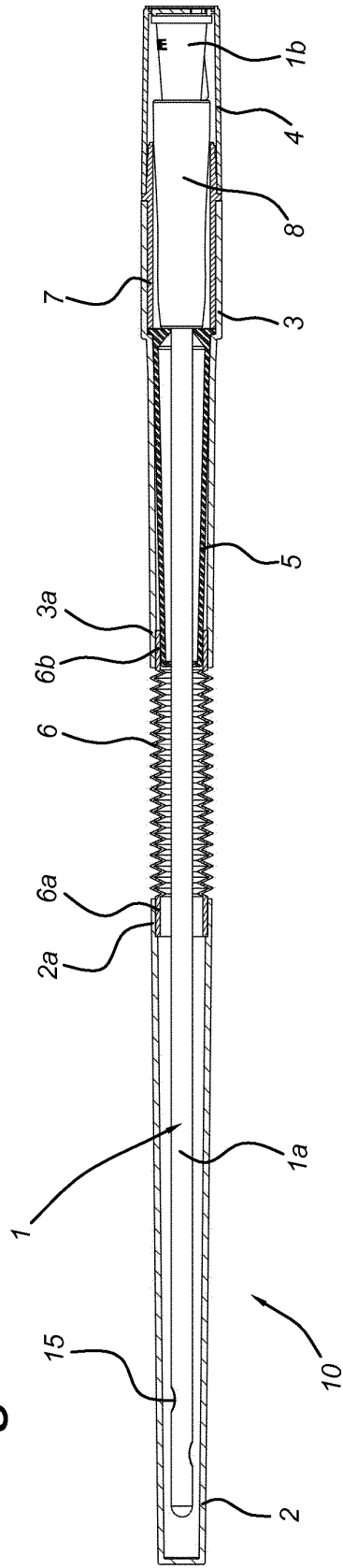


Fig. 2

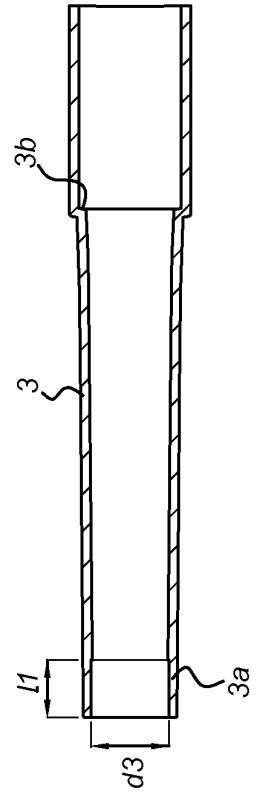


Fig. 3

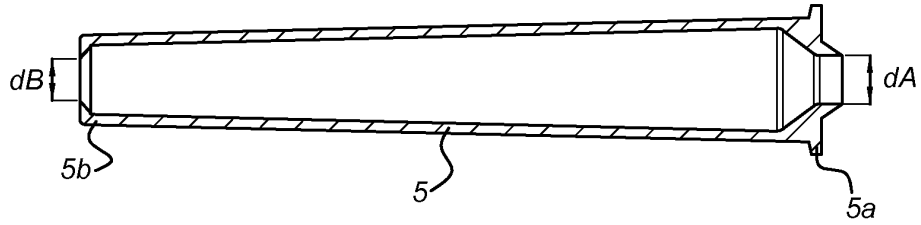


Fig. 4

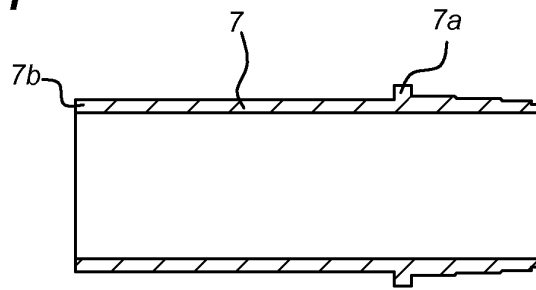


Fig. 5

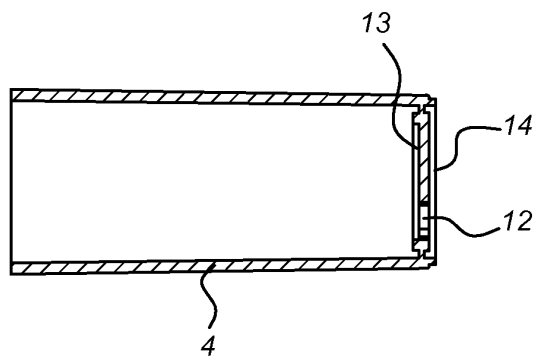
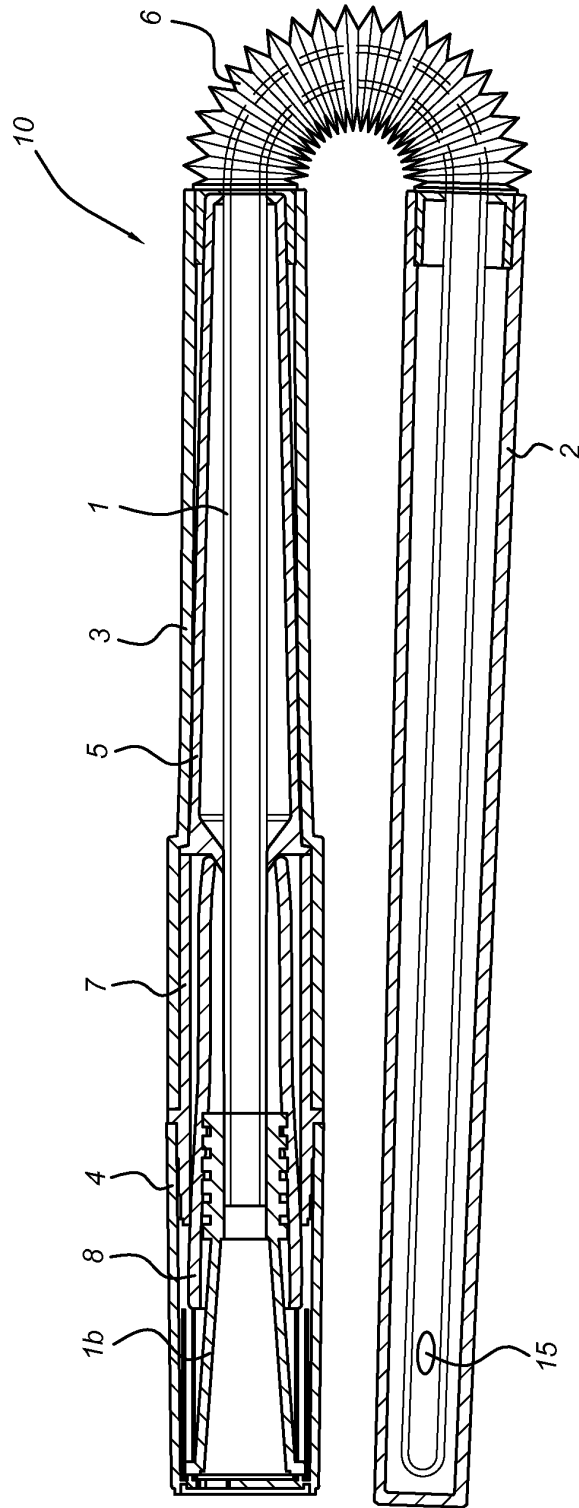


Fig. 6





EUROPEAN SEARCH REPORT

Application Number
EP 13 17 6283

5

10

15

20

25

30

35

40

45

50

55

DOCUMENTS CONSIDERED TO BE RELEVANT			
Category	Citation of document with indication, where appropriate, of relevant passages	Relevant to claim	CLASSIFICATION OF THE APPLICATION (IPC)
X	JP 2011 139882 A (RI KONKO) 21 July 2011 (2011-07-21)	1-6,8-14	INV. A61M25/00 A61M25/01
Y	* abstract; figures 1-5 *	9	
X,D	EP 2 106 821 A1 (ASTRA TECH AB [SE]) 7 October 2009 (2009-10-07) * column 1, line 5 - column 18, line 5; figures 1-8 *	1-8, 10-12	
X	US 2009/299334 A1 (NISHTALA VASU [US] ET AL) 3 December 2009 (2009-12-03) * page 1, paragraph 1 * * page 1, paragraph 7 - page 3, paragraph 30; figures 1-6 *	1-8,10, 12-14	
Y,D	WO 2012/060699 A1 (CURAN B V [NL]; VAN GRONINGEN DAVID [NL]; VAN VELTHOVEN AD [NL]) 10 May 2012 (2012-05-10)	9	
A	* page 1, line 4 - page 1, line 5 * * page 1, line 25 - page 7, line 26; figures 1-3 *	1-8, 10-14	
			TECHNICAL FIELDS SEARCHED (IPC)
A	US 6 578 709 B1 (KAVANAGH SEAMUS T [IE] ET AL) 17 June 2003 (2003-06-17) * column 1, line 9 - column 1, line 20 * * column 3, line 38 - column 6, line 34; figures 1-11 *	1,6-8	A61M
The present search report has been drawn up for all claims			
Place of search		Date of completion of the search	Examiner
Berlin		13 December 2013	Rolland, Philippe
CATEGORY OF CITED DOCUMENTS			
X : particularly relevant if taken alone Y : particularly relevant if combined with another document of the same category A : technological background O : non-written disclosure P : intermediate document		T : theory or principle underlying the invention E : earlier patent document, but published on, or after the filing date D : document cited in the application L : document cited for other reasons & : member of the same patent family, corresponding document	

EPO FORM 1503 03.02 (P04C01)

ANNEX TO THE EUROPEAN SEARCH REPORT
ON EUROPEAN PATENT APPLICATION NO.

EP 13 17 6283

5

This annex lists the patent family members relating to the patent documents cited in the above-mentioned European search report.
The members are as contained in the European Patent Office EDP file on
The European Patent Office is in no way liable for these particulars which are merely given for the purpose of information.

13-12-2013

10

15

20

25

30

35

40

45

50

55

Patent document cited in search report		Publication date	Patent family member(s)	Publication date
JP 2011139882	A	21-07-2011	JP 4987996 B2	01-08-2012
			JP 2011139882 A	21-07-2011
			KR 20110007008 U	13-07-2011

EP 2106821	A1	07-10-2009	NONE	

US 2009299334	A1	03-12-2009	US 2009299334 A1	03-12-2009
			US 2013048516 A1	28-02-2013
			WO 2007050685 A2	03-05-2007

WO 2012060699	A1	10-05-2012	CA 2817010 A1	10-05-2012
			EP 2635337 A1	11-09-2013
			US 2013292286 A1	07-11-2013
			WO 2012060699 A1	10-05-2012

US 6578709	B1	17-06-2003	EP 1409060 A2	21-04-2004
			JP 2004535256 A	25-11-2004
			US 6578709 B1	17-06-2003
			WO 03008029 A2	30-01-2003

EPC FORM P0459

For more details about this annex : see Official Journal of the European Patent Office, No. 12/82

REFERENCES CITED IN THE DESCRIPTION

This list of references cited by the applicant is for the reader's convenience only. It does not form part of the European patent document. Even though great care has been taken in compiling the references, errors or omissions cannot be excluded and the EPO disclaims all liability in this regard.

Patent documents cited in the description

- WO 2012060699 A1 [0002]
- EP 1023882 A1 [0003]
- EP 2106821 A1 [0004]